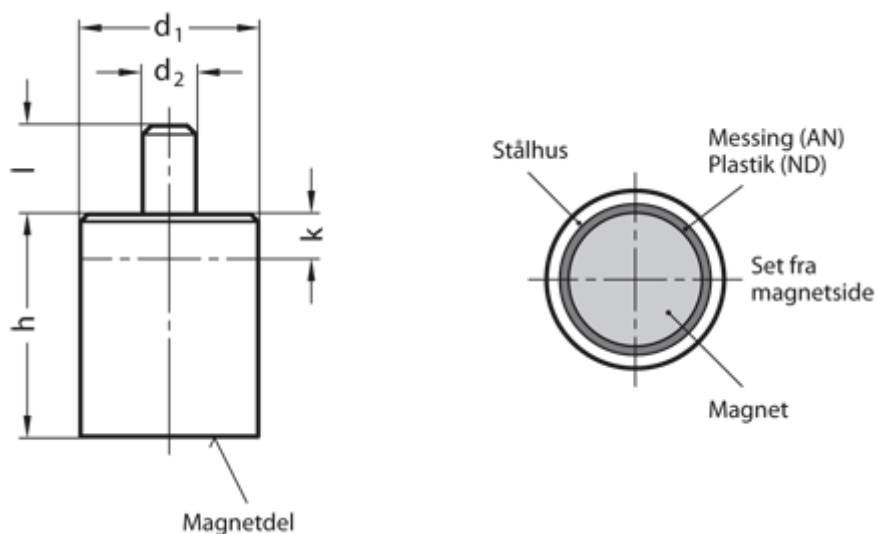


Article number: 201240379

Description: E+G Retaining magnets with smooth stud GN 52.4-ND-20-M6-E  
Neodymium, iron, boron - 80° C, 135N

## Measures



d1 = 20

d2 = 6

h = 25 ±0,2

Holding force N = 135.0

k = 5 mm - Max. dimension the magnet can be shortened

l = 8

Material = ND Neodym, iron, boron, 80°C